

# 7SG163 Ohmega 300 Series

7SG163 Protection Relay

## Document Release History

This document is issue 2010/02. The list of revisions up to and including this issue is:  
Pre release

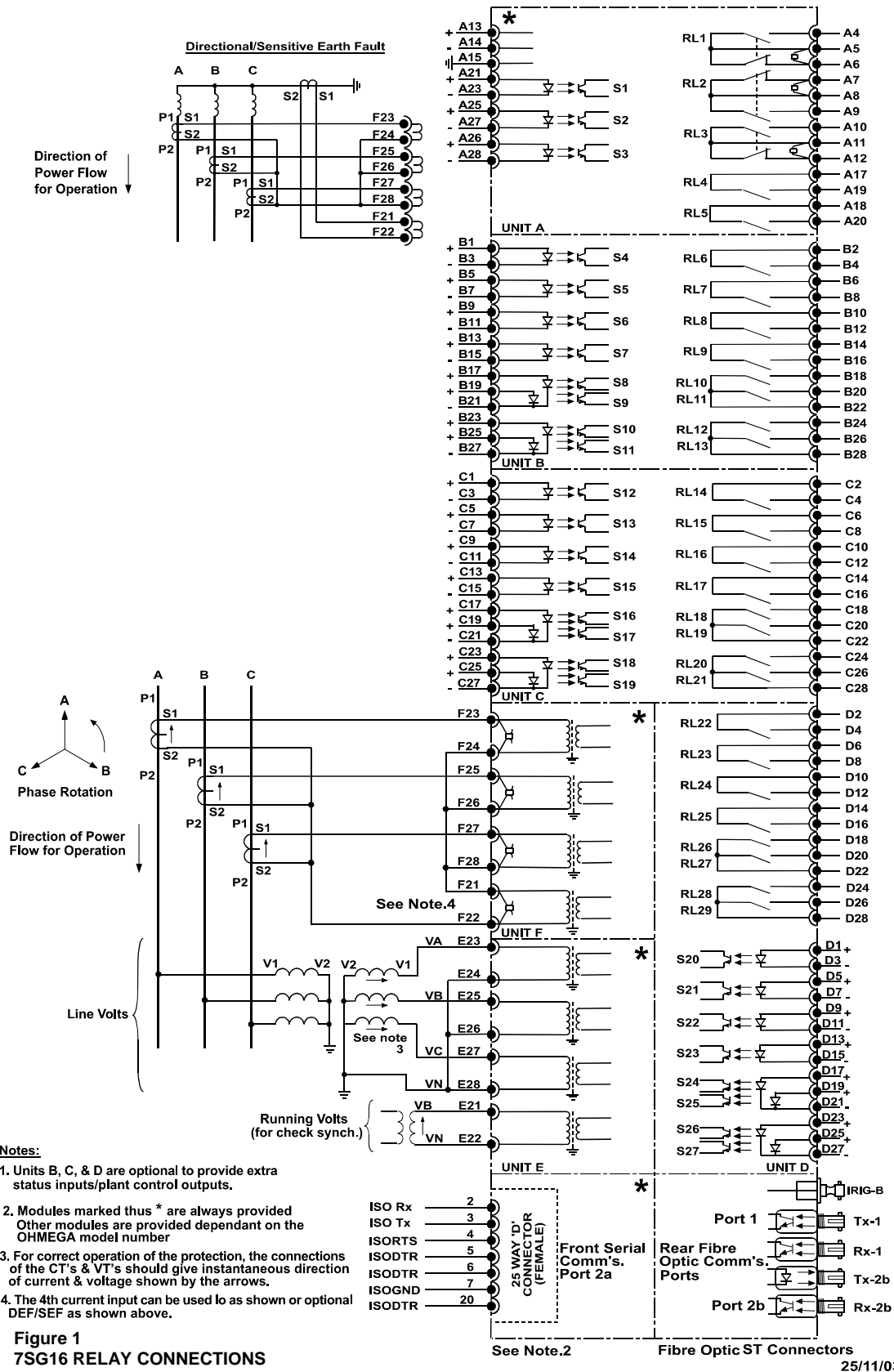
2010/02	Document reformat due to rebrand

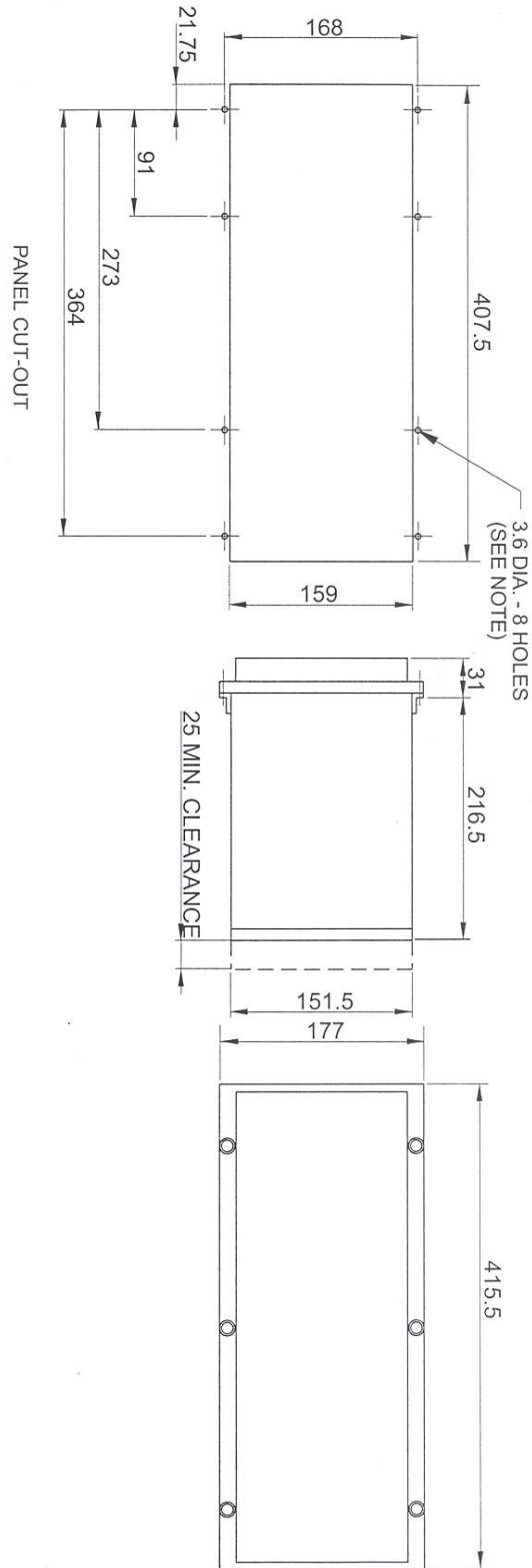
The copyright and other intellectual property rights in this document, and in any model or article produced from it (and including any registered or unregistered design rights) are the property of Siemens Protection Devices Limited. No part of this document shall be reproduced or modified or stored in another form, in any data retrieval system, without the permission of Siemens Protection Devices Limited, nor shall any model or article be reproduced from this document unless Siemens Protection Devices Limited consent.

While the information and guidance given in this document is believed to be correct, no liability shall be accepted for any loss or damage caused by any error or omission, whether such error or omission is the result of negligence or any other cause. Any and all such liability is disclaimed.

## Contents

- Figure 1      Relay Connections
- Figure 2      Overall dimensions and panel drilling for Epsilon E16 Case





NOTE:  
 THE 3.6 DIA. HOLES ARE FOR M4 THREAD FORMING (TRILOBULAR) SCREWS. THESE ARE SUPPLIED AS STANDARD AND ARE SUITABLE FOR USE IN FERROUS/ALUMINIUM PANELS 1.6mm THICK AND ABOVE. FOR OTHER PANELS, HOLES TO BE M4 CLEARANCE (TYPICALLY 4.5 DIA.) AND RELAYS MOUNTED M4 MACHINE SCREWS, NUTS AND LOCKWASHERS (SUPPLIED IN PANEL FIXING KIT).

figure 2  
 OVERALL DIMENSIONS AND PANEL DRILLING FOR EPSILON E16 CASE

24/8/99